

Materials

Car connector (OBDII)

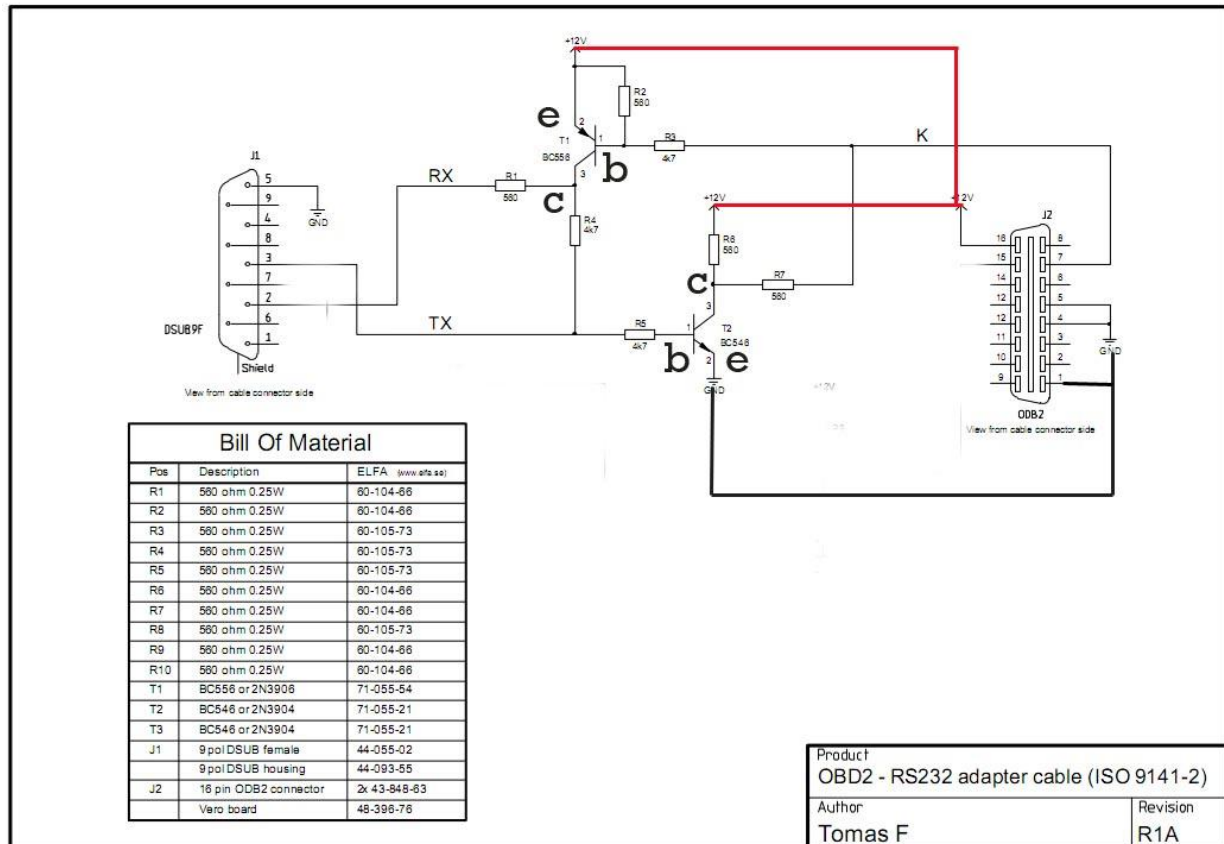
- 829-12040993 > Unsealed Terminals MALE 150 SERIES TIN CBL RANG 2.40-1.84MM > 5x
- 829-12110252 > Unsealed Connectors 16P Male Red Conn MP 150 Series 14Amps > 1x

Computer side

- 156-1309 > D-Sub Connectors 9C SOLDER RECPT > 1x
- 156-2009-E > D-Sub Connector Hoods 9C LOCKING > 1x
- Serial RS232 to USB adapter with the **FTDI Chipset**
- **EvoScan 2.5/2.6/2.7..**

Circuit

- 512-2N3906J05Z > Small Signal Transistors PNP Transistor General Purpose > 1x (BC556,BC557)
- 512-2N3904J05Z > Small Signal Transistors NPN 40V 200mA > 1x (BC546,BC547)
- 660-CFS1/4CT52R561J > 1/4Watt Axial Leaded Carbon Film **Resistors 560 OHM 5% 1/4W** > 4x
- 660-CFS1/4CT52R472J > 1/4Watt Axial Leaded Carbon Film **Resistors 4.7K OHM 5% 1/4W** > 3x



(3 Resistors are 4.7k Ohm, there is an error on the BOM)

Based on the following schematic (We don't need the RTS)

SE9141 Compatible RS232-OBD Interface (c) <http://prj.perquin.com>

